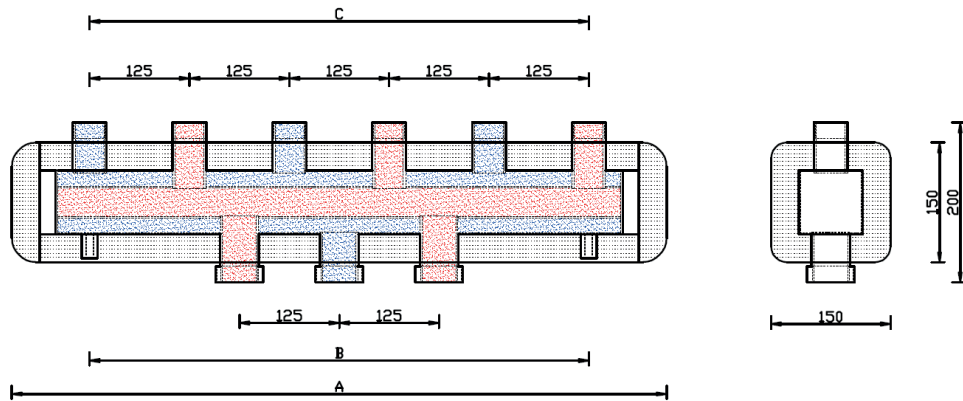
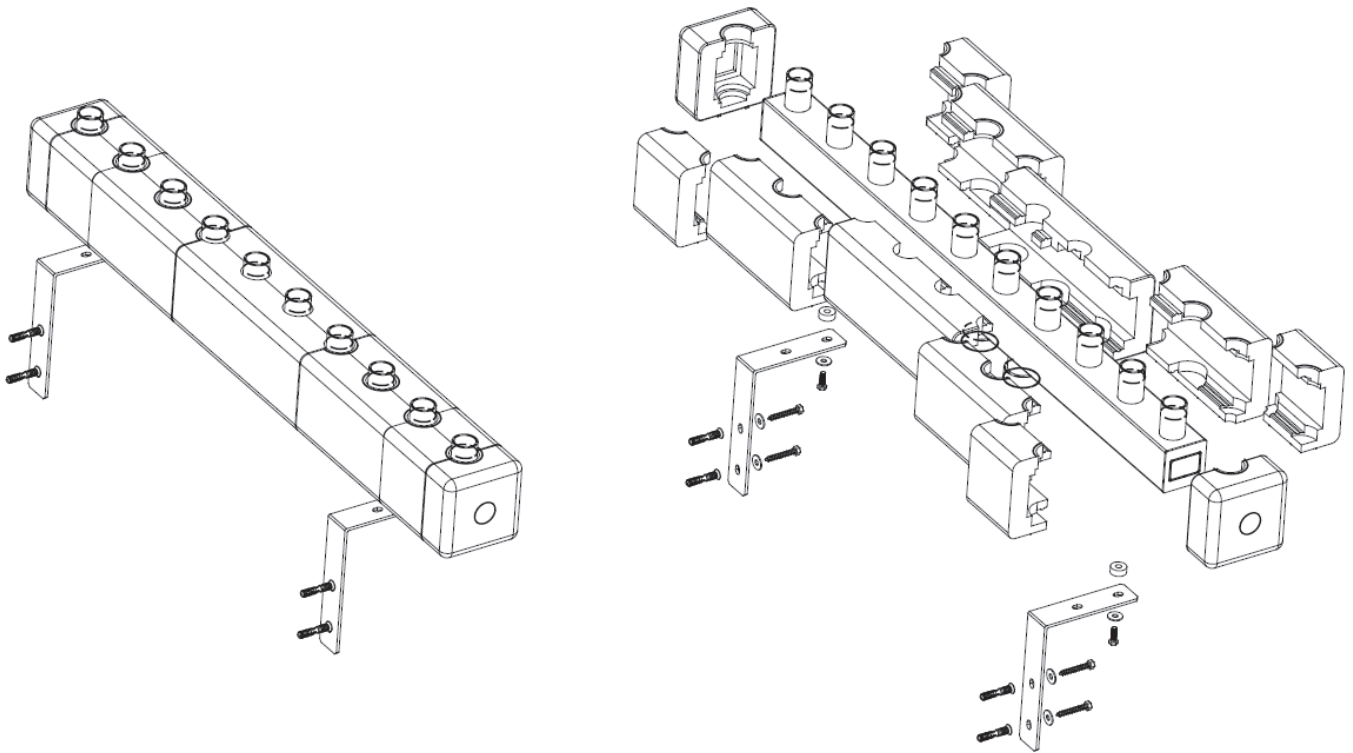


# Mounting Instruction / Montageanleitungen

Boiler Manifold / Heizungsverteiler UNI 80



	R170AG-2	R170AG-3	R170AG-4	R170AG-5	R170AG-6
A (mm)	515	765	1015	1265	1515
B (mm)	375	625	625	875	1125
C (mm)	375	625	875	1125	1375
Prim.	2"AG	2"AG	2"AG	2"AG	2"AG
Sek	5/4"AG	5/4"AG	5/4"AG	5/4"AG	5/4"AG

Distance between the wall and axis of the connector is 160mm or 200mm !  
 Abstand Wand-Rohrachse 160mm oder 220mm !